

2014 SWIMMING POOL SUPPLY CATALOG



PHONE: (540) 345-7665

FAX: (540) 343-5240

PARTS INDEX

ANCHOR WEDGES	24
ANCHORS, DECK	24
ANCHORS, ROPE	16
BASKETS-PUMP & SKIMMER	8
CHLORINATORS	2-3
ESCUTCHEONS	24
FILLSPOUTS	16
FILTER ACCESSORIES	10
FILTER PARTS	9
FITTINGS	16
FLANGES	18
FLOWMETERS	10
HAYWARD PUMP PARTS	5
HEATERS	19-22
LADDER PARTS	24
LADDER TREADS	24
LIGHT BULB	23
LIGHT LENS	23
LIGHT LENS GASKETS	23
MAIN DRAIN & GRATES	15
MULTIPOINT VALVES	11
MULTIPOINT VALVE PARTS	11-13
PENTAIR FILTER PARTS	9
PENTAIR PUMP PARTS	6-7
PLUGS	18
PRESSURE GAUGES	10
PUMP MOTORS & SEALS	4
SKIMMERS & ACCESSORIES	14
UNIONS	18
VALVES	17

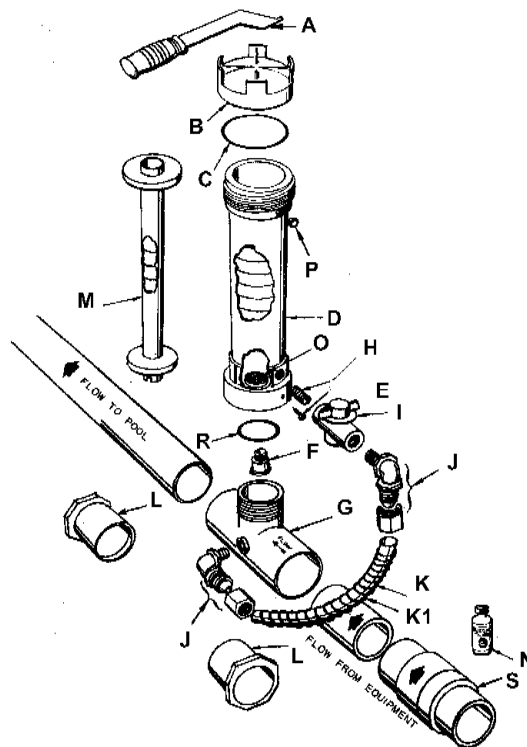
*BRANDS MAY VARY DUE TO PRODUCT CHANGES
PRICES SUBJECT TO CHANGE*



CHLORINATOR PARTS

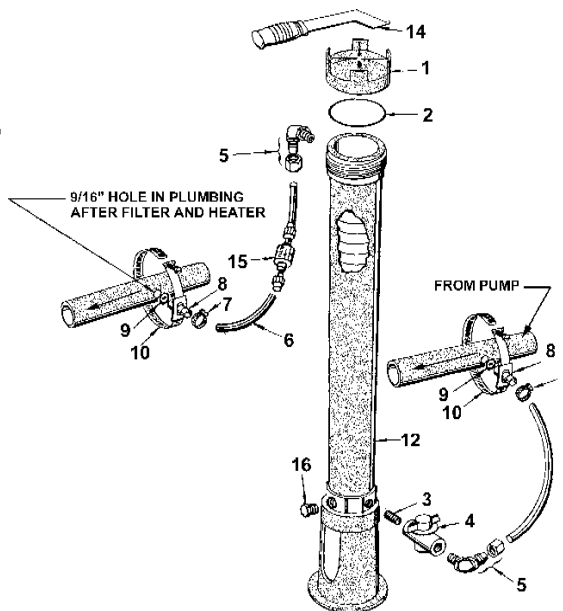
RAINBOW 320 IN-LINE FEEDER PARTS

E	RAIN 01052	LOCK SCREW 320
K1	RAIN 171097	TUBE SUPPORT SPRING 320
B	RAIN 172008W	WHITE CAP 3" 320/300X29
C	RAIN 172009	CAP O RING 3" 320/300X29
N	SILICONE 000	3/4 OZ. SILICON O-RING LUBRICANT
M	RAIN 172037	SPA CHAMBER 320
A	RAIN 172052	CAP WRENCH 320/300X29
I	RAIN 172086	CONTROL VALVE 1/2" 320/300X29
	RAIN 172087	10" EXTENSION FOR 320/30029X FEEDER
K	RAIN 172091	5/8" CHLORINE TUBE 320
P	RAIN 172134	NPT PVC PLUG 1/2"
F	RAIN 172248	CHECK VALVE 320
Q	RAIN 172253	TUBE 18" 5/8" OD 320
O	RAIN 172255	SCREEN 320
H	RAIN 172256	NPT NIPPLE 1/2" 320/300X29
J	RAIN 172272	90 DEG. 1/2" NPT X TUBE 320/300X29
J-1	RAIN 172274	COMPRESSION NUT 300X29
	RAIN 172283	20" EXTENSION FOR 320/30029X FEEDER
G	RAIN 172317	DIVERTER TEE 320
R	RAIN 172319	BOTTOM O-RING 320
D	RAIN 172321	BODY ONLY 320



RAINBOW 300X29 COMMERCIAL FEEDER PARTS

1	RAIN 172008W	WHITE CAP 3" 320/300X29
2	RAIN 172009	CAP O RING 3" 320/300X29
13	SILICONE 000	3/4 OZ. SILICON O-RING LUBRICANT
14	RAIN 172052	CAP WRENCH 320/300X29
4	RAIN 172086	CONTROL VALVE 1/2" 320/300X29
	RAIN 172087	10" EXTENSION FOR 320/30029X FEEDER
16	RAIN 172134	NPT PVC PLUG 1/2"
3	RAIN 172256	NPT NIPPLE 1/2" 320/300X29
8	RAIN 172262	SADDLE TUBE FITTING (NIPPLE)
9	RAIN 172263	SADDLE GASKET 300X29
10	RAIN 172264	SADDLE CLAMP 300X29
	RAIN 172268	DRAIN KIT FOR 1/4" LINE
6	RAIN 172269	TUBING 12' 300X29
5	RAIN 172272	90 DEG. 1/2" NPT X TUBE 320/300X29
5-A	RAIN 172274	COMPRESSION NUT 300X29
	RAIN 172276	COMMERCIAL FLOW INDICATING METER
	RAIN 172283	20" EXTENSION FOR 320/30029X FEEDER
15	RAIN 172324	1/2" CHECK VALVE
7	RAIN 175013	SS TUBING CLAMP 300X29



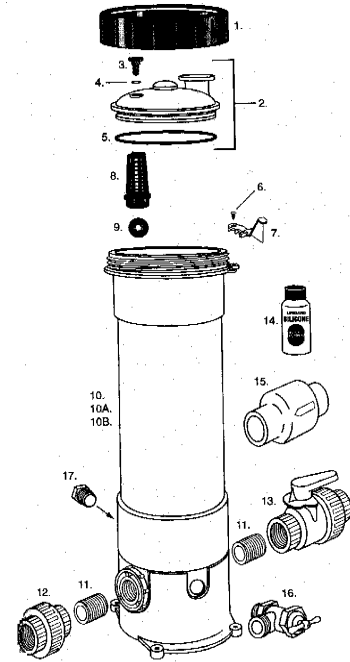
PRICES SUBJECT TO CHANGE

CHLORINATORS PARTS



RAINBOW COMMERCIAL FEEDER PARTS HC-3315, HC-3330, HC-3340

R172214	#1	LOCK RING
R172385	#2	LID ASSEMBLY COMPLETE
R172224	#3	VENT VALVE
R172221	#4	O-RING (VALVE)
R172240	#5	O-RING (LID TO HOUSING)
R172375	#6	LOCK SCREW
R172374	#7	LOCK SPRING
R175251	#8	STRAINER 1" SUCTION/OVERFLOW
R172435	#9	CHECK BALL
R270484	#11	1" CLOSE NIPPLE
R270531	#12	1" THREADED UNION
R172439	#13	CONTROL VALVE
SILICONE 000	#14	SILICONE LUBRICANT
R172288	#15	CHECK VALVE (COROSION RESISTANT)
R175009	#16	1/2" DRAIN VALVE/HOSE BIB
R172134	#17	NPT PVC PLUG 1/2"



PRICES SUBJECT TO CHANGE



PUMP MOTORS AND SEALS

"A" MOTORS

B126/MOTOR 005	1/2 HP THREADED
B127/MOTOR 006	3/4 HP THREADED
B128/MOTOR 007	1 HP THREADED
B129/MOTOR 008	1 1/2 HP THREADED
B130/MOTOR 009	2 HP THREADED
B231SE/MOTOR 010	2 1/2 HP THREADED
B131/MOTOR 011	3 HP THREADED

"A" MOTORS 56 J FRAME

*American Eagle
Hayward Super Pump
ITT Marlow Argonaut*

"C" MOTORS

B846/MOTOR 012	1/2 HP SQUARE FLANGE
B847/MOTOR 013	3/4 HP SQUARE FLANGE
B848/MOTOR 014	1 HP SQUARE FLANGE
B849/MOTOR 015	1 1/2 HP SQUARE FLANGE
B748/MOTOR 016	2 HP SQUARE FLANGE
B840/MOTOR 017	2 1/2 HP SQUARE FLANGE
B844/MOTOR 0170	3 HP Y56Y SQUARE FLANGE
B1000/MOTOR 0175	5 HP Y56Y SQUARE FLANGE

"C" SQUARE FLANGE MOTORS

*American Ultra-Flow
Pentair Challenger
Pentair Pinnacle
Pentair Whisperflo
Sta-rite Dura-glas
Sta-rite Max-e-glas*



GO-KIT 5
SEAL KITS FOR PUMPS

PUMP REPAIR KITS AND PUMP SEALS

GO KIT 03	HAYWARD SUPER PUMP ORING KIT
GO KIT 06	STARITE DURAGLAS/MAXIGLAS PUMP KIT
GO KIT 12	HAYWARD SP1500 POWERFLO ORING KIT
GO KIT 13	HAYWARD SP1700 POWERFLO ORING KIT
GO KIT 25	STARITE PE,PEA,P2R,& P2RA/AJ SERIES KIT
GO KIT 32	PENTAIR WHISPERFLO ORING KIT
GO KIT 73	CHALLENGER O RING KIT
AS100	STA RITE (U109-093)
AS200	PENTAIR CHALLENGER/DYNAMO (35-4545)
AS201	SWIMQUIP (37407-9)
AS877	JACUZZI (10-1203-01)
AS1000	HAYWARD 1700/AM PRODUCT (397012)
AS1000	PENTAIR WHISPERFLO (071734)
AS1521	HAYWARD SUPER PUMP (SP1600Z-2)
SP1720KA	HAYWARD (POWERFLO)
SP1500KA	HAYWARD (POWERFLO)

PUMP SEAL CROSS REFERENCE

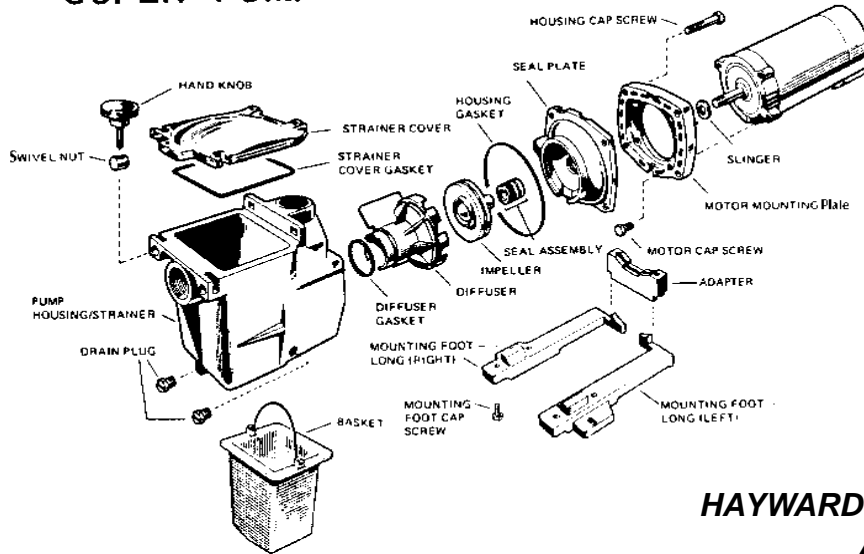
AM. PRODUCTS	STOCK NO.
397012	AS-1000
395005	AS-201
HAYWARD	
SP-1250X-Z-2	AS-200
SP-1500-KA	AS-2131
SP-1600-Z-2	AS-1521
SP-125-Z-2	AS-372
ITT MARLOW	
38592-00	AS-201
25353-20	AS-411
PENTAIR	
071734	AS-1000
35-4545	AS-200
35-4001	AS-201
STARITE	
U109-68	AS-163
U109-93SS	AS-100
U109-136SS	AS-1000
SWIMQUIP	
37407-9	AS-201

PRICES SUBJECT TO CHANGE

HAYWARD PUMP PARTS



SUPER PUMP™



HAYWARD SUPER PUMP IMPELLERS AND DIFFUSERS

HAYWARD SUPER PUMP PARTS

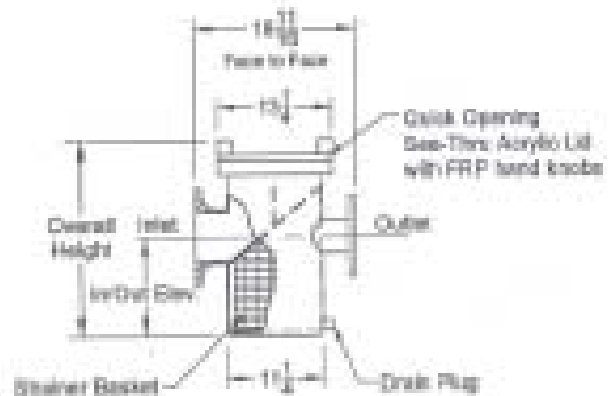
SPX0125-F	SLINGER
SPX1600AA	HOUSING 1 1/2" SP1600AA
SPX1600-B	DIFFUSER 1/2 HD MAX
SPX1600-D	STRAINER COVER
SPX2600E5	SEAL PLATE
SPX1600-F5	MOTOR MOUNTING PLATE
SPX1600-PN	HAND KNOB W/SWIVEL NUT
SPX1600-R	DIFFUSER GASKET
SPX1600-S	STRAIN/COVER GASKET
SPX1600-T	HOUSING GASKET
SPX1600-TAP	BOLT INSERT KIT
SPX1600-Z-4	HOUSING CAP SCREW
SPX1611E	SEAL PLATE 2HP, 2 1/2 HP
SPX1620AA	HOUSING 2" SP1620AA
SPX2600-E	SEAL PLATE 1/2 - 1 1/2 HP
PUMPSEAL 006	SEAL ASSEMBLY (AS1521)

SPX1600-B	DIFFUSER 1/2 HD MAX
SPX1600-C	IMPELLER
SPX1605-B	DIFFUSER 3/4 HP
SPX1605-C	IMPELLER 3/4 HP
SPX1608-B	DIFFUSER 1 1/2 HIGH 1HI
SPX1610-B	DIFFUSER 1 1/2 MED
SPX1610-C	IMPELLER 1 1/2 HP MED
SPX1611-C	IMPELLER 1 1/2 HP HIGH
SPX1615-B	DIFFUSER 2 HP, 2 1/2 HP
SPX1615-C	IMPELLER 2 HP
SPX1616-B	DIFFUSER 2 & 2 1/2 HIGH
SPX1616-C	IMPELLER 2 HP MED
SPX1621-C	IMPELLER 2 HP, 2 1/2 HP
SPX2600-B	DIFFUSER 1/3- 1 1/2
SPX2600-C	IMPELLER 1/3 HP, 1/2 HP
SPX2605-C	IMPELLER 1/2 HP, 3/4 HP
SPX2607-C	IMPELLER 3/4 HP, 1 HP
SPX2610-C	IMPELLER 1 HP, 1 1/2 HP
SPX2615-C	IMPELLER 1 1/2HP, 2 HP

MERMADE COMMERCIAL PUMP STRAINERS

MERMADE 6X5	MERMADE PUMP STRAINER 6X5
MERMADE 6X6	MERMADE PUMP STRAINER 6X6 (Strainers come with Stainless Steel Basket)

MERMADE STRAINERS REPLACE MARLOW "D" SERIES



D10X Series Strainer

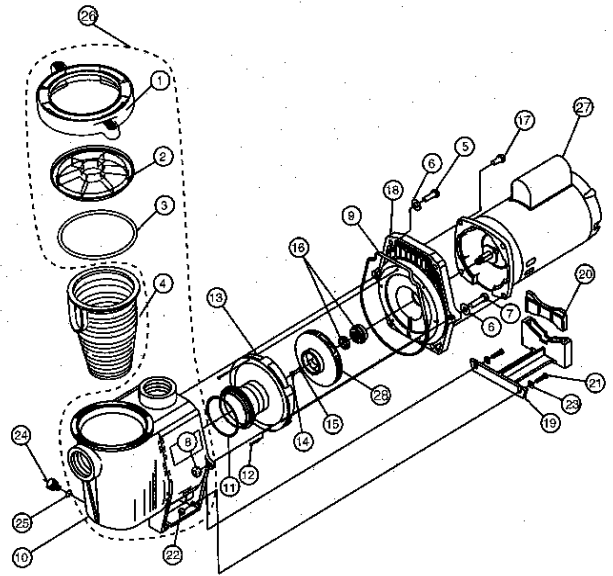
PRICES SUBJECT TO CHANGE



PUMP PARTS

PENTAIR WHISPERFLO PUMP PARTS

PAC 357150	#1	CLAMP BAND ASEMBLY
PAC 357151	#2	COVER - LEXAN
PAC 070387	#4	BASKET
PAC 070430	#5	BOLT
PAC 072184	#6	WASHER
PAC 070431	#7	BOLT
PAC 071403	#8	NUT
PAC 357102	#9	SEAL PLATE GASKET
PAC 350015	#10	VOLUTE & POT
PAC 355227	#11	DIFFUSER O-RING
PAC 071660	#12	SET SCREW
PAC 072928	#13	DIFFUSER 3 HP
PAC 072927	#13	DIFFUSER 3/4 HP - 2.5 HP
PAC 071652	#14	SET SCREW
PAC 075713	#15	RUBBER WASHER
PUMPSEAL 005	#16	PUMPSEAL (AS1000)
PAC 070429	#17	BOLT
PAC 074564	#18	SEAL PLATE
PAC 070927	#19	FOOT
PAC 070929	#20	FOOT INSERT
PAC 071657	#21	SCREW
PAC 071406	#22	NUT
PAC 072183	#23	WASHER
PAC 071131	#24	DRAIN PLUG
PAC 074629	#25	DRAIN PLUG GASKET
PAC 357149	#26	VOLUTE REPLACEMENT KIT
PAC CALL	#28	IMPELLER



PRICES SUBJECT TO CHANGE

PENTAIR PUMP PARTS



PENTAIR CHALLENGER PUMP PARTS

IMPELLERS - HIGH FLOW PUMP

#5	PAC 355043	IMPELLER 1/2F,3/4A
#5	PAC 355067	IMPELLER 3/4F,1A
#5	PAC 355074	IMPELLER 1F,1/2A
#5	PAC 355086	IMPELLER 1 1/2F,2A
#5	PAC 355093	IMPELLER 2F,2 1/2A
#5	PAC 355068	IMPELLER 3F 50HZ,5F 60HZ

IMPELLERS - HIGH PRESSURE PUMP

#5	PAC 355147	IMPELLER 1/2F, 3/4A
#5	PAC 355187	IMPELLER 3/4F, 1A
#5	PAC 355369	IMPELLER 1F, 1 1/2A
#5	PAC 355315	IMPELLER 1 1/2F, 2A
#5	PAC 355604	IMPELLER 2F, 2 1/2A
#5	PAC 355544	IMPELLER 3F

OTHER PARTS

#4	PUMPSEAL 002	PUMP SEAL (AS-200)
#18	PAC 152060	BOLT 5/16 18X4 CARR
#20	PAC 174882	KNOB (FITS CLAMP W/ REMOVABLE BOLT)
#20	PAC 175025	KNOB (FITS CLAMP W/CAPTURED T-BOLT)
#22	PAC 354265	SCREW 5/16 18X3/4 SS
#9	PAC 354290	SCREW 3/8" 16SS HEX
#3	PAC 355028	PLATE MOUNTING 1/2F,3/4F
#3	PAC 355095	PLATE MOUNTING 2F,2 1/2A
#3	PAC 355078	PLATE MOUNTING 1 1/2 F
#8	PAC 355302	HOUSING FRONT
#2	PAC 355497	PLATE SEAL-BLACK
#11	PAC 355305	BASE PUMP
#3	PAC 355317	PLATE MOUNTING 3/43A
#7	PAC 355320	BAND CLAMP ASSM COMP
#12	PAC 355334	SCREW 8 32X1" SS HEX
#15	PAC 355335	SCREW 5/16 18X1/2 SS
#3	PAC 355384	PLATE MOUNTING 1/2F
#11B	PAC 355385	ADAPTOR 5 5/8" DIA
#10	PAC 355389	SCREW IMPELLER LOCK
#11A	PAC 355492	ADAPTOR MOTOR SUPP
#3	PAC 355495	PLATE MOUNTING 5F
#2	PAC 355497	PLATE SEAL 5HP
#29	PAC 552377	BUSHING REDUCER
#19	PAC 639822	WASHER 5/16 SS FLAT
#23	PAC 0002	PLUG 0002

STRAINERS, LIDS & BASKETS

#28	PAC 354112	STRAINER POT LID (BLACK)
#25	PAC 355300	POT STRAINER
#28	PAC 355301	STRAINER POT LID (CLEAR)
#26	PAC 355318	STRAINER BASKET PLASTIC
#26	PAC 355441	STRAINER BASKET 3F
#25	PAC 355900	STRAINER POT 5F
#26	PAC 355901	S.S. STRAINER BASKET 5F
#28	PAC 355902	STRAINER POT LID 5F

DIFFUSERS - HIGH FLOW PUMP

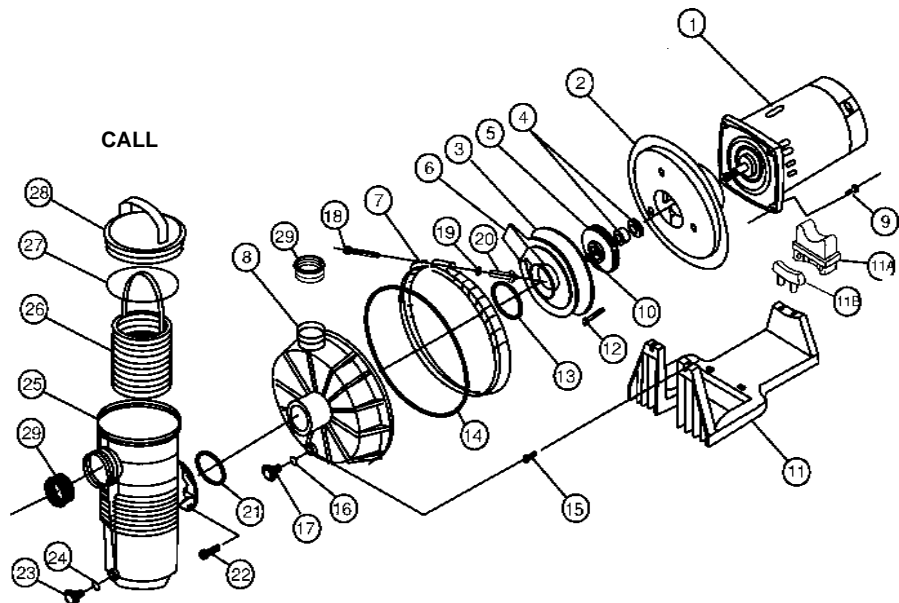
#6	PAC 355029	DIFFUSER 1/2F,3/4F,3/4A,1A
#6	PAC 355077	DIFFUSER 1F,1 1/2F,1 1/2A,2A
#6	PAC 355094	DIFFUSER 2F,2 1/2A
#6	PAC 355069	DIFFUSER 3F,50HZ/5F 60HZ

DIFFUSERS - HIGH PRESSURE PUMP

#6	PAC 355148	DIFFUSER 1/2F, 3/4A
#6	PAC 355188	DIFFUSER 3/4F, 1F, 1A, 1 1/2A
#6	PAC 355270	DIFFUSER 1 1/2F, 2A
#6	PAC 355545	DIFFUSER 3F, 2 1/2A

O-RINGS

#24	PAC 192115	O-RING FOR THUMB PLUG
#13	PAC 355030	O-RING DIFFUSER
#14	PAC 355329	O-RING FRONT HOUSING
#21	PAC 355330	O-RING STRAINER TO PUMP
#13	PAC 355331	O-RING DIFFUSER
#27	PAC 350013	O-RING LID



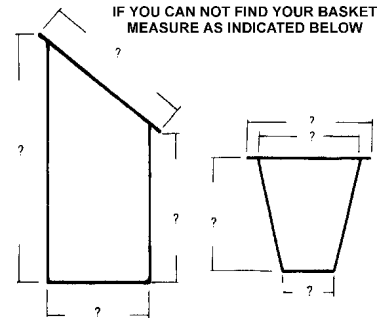
PRICES SUBJECT TO CHANGE



PUMP AND SKIMMER BASKETS

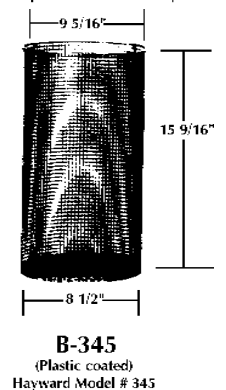
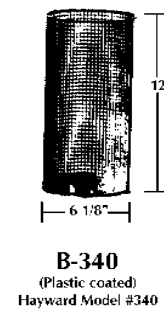
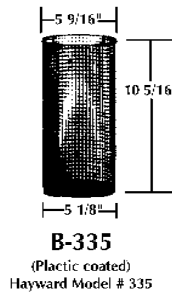
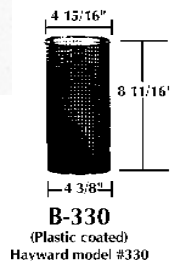
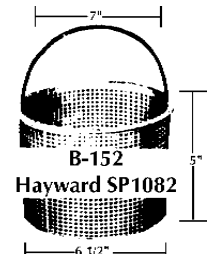
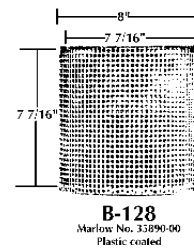
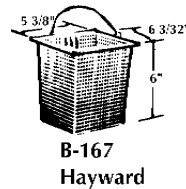
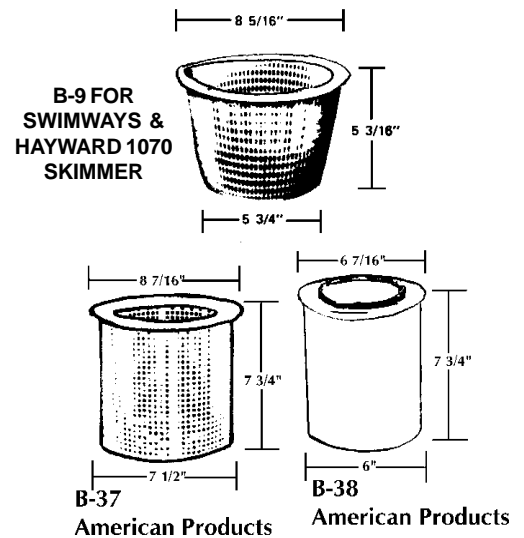
SKIMMER BASKETS

- B-9 B-9 SWIMQUIP/HAYWARD SKIMMER BASKET
- B-37 B-37 AMERICAN SKIMMER BASKET
- B-38 B-38 AMERICAN SKIMMER (FLOAT)
- B-152 B-152 HAYWARD SP1082 SKIMMER BASKET
- B-168 B-168 HAYWARD SP1096C SKIMMER
- B-183 B-183 JACUZZI SKIMMER BASKET



PUMP BASKETS

- B-47 B-47 BASKET
- B-50 B-50 BASKET
- B-105 B-105 STA-RITE 4" PUMP STRAINER
- B-106 B-106 STA-RITE 5" PUMP STRAINER
- B-107 B-107 STA-RITE 6" PUMP STRAINER
- B-120 B-120 STA-RITE STRAINER BASKET
- B-123 B-123 MARLOW A-3 SERIES
- B-128 B-128 MARLOW #35890 STRAINER (3B)
- B-135 B-135 MARLOW STRAINER BASKET D10X
- B-167 B-167 HAYWARD SUPER PUMP BASKET
- B-169 B-169 HAYWARD SP1250R PUMP BASKET
- B-174 B-174 MARLOW 40584 PUMP BASKET
- B-175 B-175 MARLOW 38075 PUMP BASKET
- B-177 B-177 AM PRODUCT 393004 PUMP BASKET
- B-184 B-184 JACUZZI STRAINER BASKET
- B-185 B-185 HYDRO #700 SERIES PUMP 352670 SUPER PUMP II BASKET
- B-330 B-330 HAYWARD 4" STRAINER BASKET
- B-335 B-335 HAYWARD 5" STRAINER BASKET
- B-340 B-340 HAYWARD 6" STRAINER BASKET
- B-345 B-345 HAYWARD 8" STRAINER BASKET
- PAC 355318 PENTAIR CHALLENGER PUMP BASKET
- PAC 070387 PENTAIR WHISPERFLO PUMP BASKET



PRICES SUBJECT TO CHANGE

PENTAIR FILTER PARTS

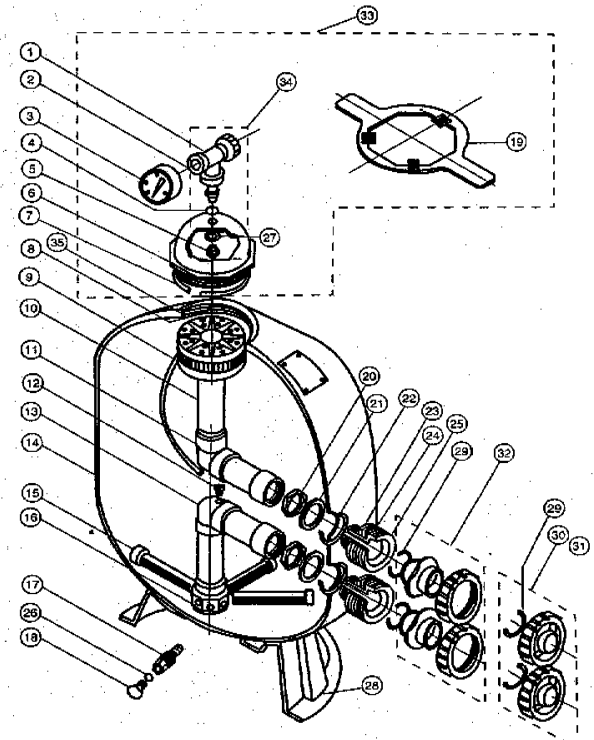
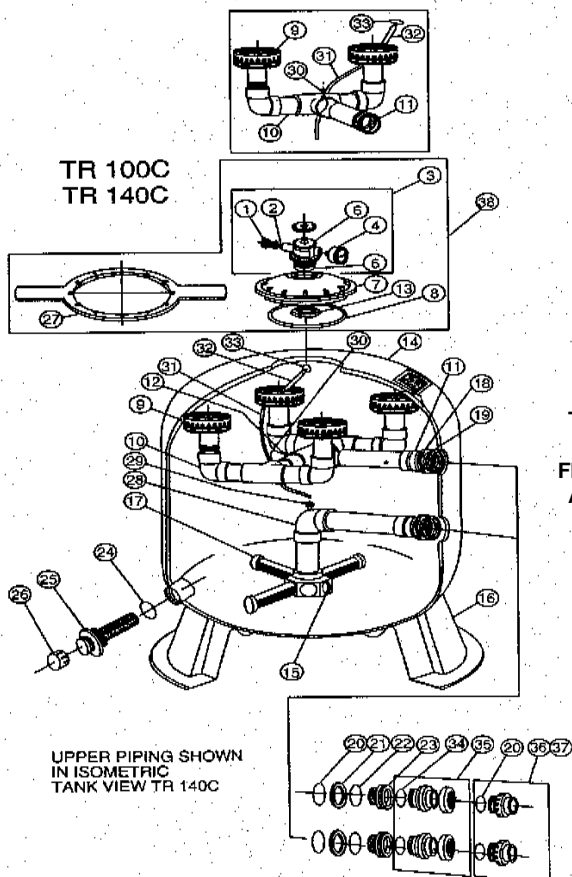


TRITON TR100C & TR140C

#1	PAC 273512	AIR -BLEEDER W/ O-RING
#2	PAC 273513	O-RING AIR BLEEDER SCREW
#3	PAC 273564	MANUAL AIR RELIEF BODY ASSY
#4	PRESSURE 002	PRESSURE GAUGE
#5	PAC 274494	O-RING
#7	PAC 154575	CLOSURE 8 1/2" BTR.
#8	PAC 152509	SQUARE RING 8 1/2 IN BTR.
#9	PAC 154599	DIFFUSER
#10	PAC 156355	PIPING ASSY. UPPER
#11	PAC 156344	PIPING ASSY. UPPER INLET (TR100C)
#12	PAC 156354	PIPING CONNECTING ASSY UPPER
#13	PAC 154412	NUT 2 IN. INTERNAL
#14	PAC	TANK & FT ASSY.
#15	PAC 154453	HUB LATERAL
#16	PAC 154596	FOOT 24 IN. DIA.
#17	PAC 152202	LATERAL 9 1/8 IN. TR100C
#17	PAC 154540	LATERAL 12 IN. TR140C
#18	PAC 154412	LOCKNUT 2 IN. INTERNAL
#19	PAC 154416	SPACER 2 IN. INTERNAL
#20	PAC 154492	O-RING 2 IN. BULKHEAD
#22	PAC 154538	GASKET 2 IN. BULKHEAD
#23	PAC 154405	BULKHEAD 2 IN.
#24	PAC 154492	O-RING SOLD W/2" SAND DRAIN
#25	PAC 152220	2" SAND DRAIN
#26	PAC 154871	CAP THD. 1 1/2"
#27	PAC 154527	WRENCH 8 1/2" CLOSURE
#28	PAC	PIPING ASSY. LOWER
#29	PAC 154421	CONN. AIR RELIEF TUBE BEFORE 11-1-99
#29	PAC 150036	CONN. AIR RELIEF TUBE AFTER 11-1-99
#31	PAC	TUBE AIR RELIEF
#32	PAC 154507	SPACER AIR RELIEF TR100C 6 3/4"
#32	PAC 154508	SPACER AIR RELIEF TR140C 10 5/16"
#33	PAC 154578	STRAINER AIR RELIEF BEFORE 11-1-99
#33	PAC 150035	STRAINER AIR RELIEF AFTER 11-1-99
#34	PAC 274494	O-RING VALVE ADAPTER
#35	MULTIPOINT 040	1 1/2" & 2" SLIP ADAPTER KIT
#38	PAC 154856	KIT CLOSURE 8 1/2" BTR. THD. BLK

TRITON II FILTER

#1	PAC 154689	AIR BLEEDER/TEE ASSY.
#2	PAC 154700	ADAPTOR - BRASS AIR BLEEDER
#3	PRESSURE 002	GAUGE - PRESSURE - BACK MOUNT
#4	PAC 154661	O-RING - AIR BLEEDER ADAPTER
#5	PAC 154664	NUT
#6	PAC 154570	CLOSURE - BTR. THREAD
#6	PAC 154559	CLOSURE - V THREAD
#6	PAC 154575	CLOSURE - 8 1/2" BTR.
#7	PAC 154493	O-RING CLOSURE
#7	PAC 152509	SQUARE CLOSURE O-RING- 8 1/2"
#8	PAC 154578	STRAINER AIR RELIEF(PRIOR 11/99)
#8	PAC 150035	STRAINER AIR RELIEF (AFTER 11/99)
#9	PAC 154438	TUBE AIR RELIEF (PRIOR 11/99)
#9	PAC 150042	TUBE AIR RELIEF (AFTER 11/99)
#10	PAC	DIFFUSER ASSY
#11	PAC	PIPING ASSY. UPPER TR40/50/60/100
#12	PAC	CONNECTOR AIR RELIEF TUBE
#13	PAC	PIPING ASSY. LOWER TR40/50/60/100/140
#14	PAC	TANK & FT ASSY
#15	PAC 152290	LATERAL - TR40/50/60 *Prior 2007
#15	PAC 150085	LATERAL - TR60 ONLY *AFTER 2007
#15	PAC 152202	LATERAL - TR100 9 1/8"
#15	PAC 154543	LATERAL - TR100 6 1/2"
#15	PAC 154540	LATERAL - TR140 12"
#16	PAC 154453	HUB - LATERAL TR100/140
#17	PAC 152220	SAND DRAIN 2"
#17	PAC 154698	SPIGOT 3/4" NPT SAND DRAIN
#17	PAC 154685	SPIGOT 1/2" NPT SAND DRAIN
#18	PAC 154871	CAP THD 1 1/2"
#18	PLUG 0002	PLUG 1/4" NPT DRAIN
#19	PAC 154512	WRENCH - CLOSURE
#19	PAC 154510	WRENCH - CLOSURE (ALUMINUM)
#21	PAC 154416	SPACER - INTERNAL
#22	PAC 154492	O-RING - BULKHEAD
#23	PAC 154408	SPACER 2" - EXTERNAL
#24	PAC 154538	GASKET - BULKHEAD
#25	PAC 154405	BULKHEAD 2"
#26	PAC 154492	O-RING - DRAIN PLUG
#26	PAC 192115	O-RING - DRAIN PLUG
#27	PAC 154418	WASHER
#28	PAC	FOOT
#29	PAC 274494	O-RING - VALVE ADAPTOR
#32	MULTIPOINT 040	1 1/2" & 2" SLIP ADPTR KIT
#33	PAC	CLOSURE KIT
#34	PAC 154687	FITTING PACKAGE
#35	PAC	SPACER AIR VENT STRAINER



PRICES SUBJECT TO CHANGE



FILTER ACCESSORIES

MULTIPOINT VALVES FOR FILTERS

PENTAIR VALVES

MULTIPOINT 010 1 1/2" VALVE FOR TRITON FILTER
 MULTIPOINT 030 2" HI-FLOW VALVE FOR TRITON FILTER
 MULTIPOINT 040 VALVE ADAPTOR KIT TRITON FILTER

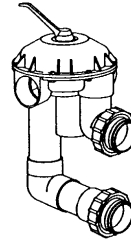
MULTIPOINT 020 1 1/2" TOP MT FOR TA FILTER "V" THD
 MULTIPOINT 0200 1 1/2" TOP MT FOR TA FILTER (CLAMP)

HAYWARD VALVES AND PART KITS

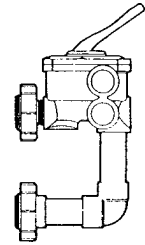
MULTIPOINT 050 SP710ALL 1 1/2" MULTIPOINT VALVE
 MULTIPOINT 060 SP715ALL 2" UNIV MULTIPOINT VALVE

MULTIPOINT 070 SP710X32 1 1/2" MULTIPOINT VALVE
 MULTIPOINT 080 SP712-1 TOP MOUNT MULTIPOINT VALVE
 MULTIPOINT 090 SP714T TOP MOUNT MULTIPOINT VALVE-CLAMP
 (REPLACES SP-711 MULTIPOINT)

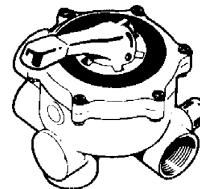
GO KIT 10 SP710 1 1/2" MULTIPOINT ORING KIT
 GO KIT 39 SP715 2" MULTIPOINT ORING KIT



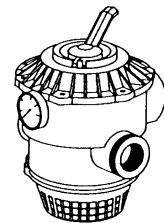
MULTIPOINT VALVE
2" PENTAIR HI FLOW



MULTIPOINT VALVE
1 1/2" OR 2"



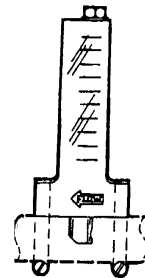
SP-710 X-3



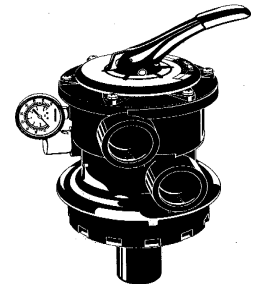
MULTIPOINT VALVE
1 1/2" PENTAIR HI FLOW

FLOWMETERS

FLOW 001 FLOWMETER 1 1/2"
 FLOW 002 FLOWMETER 2"
 FLOW 003 FLOWMETER 2 1/2"
 FLOW 004 FLOWMETER 3"
 FLOW 005 FLOWMETER 4"
 FLOW 007 FLOWMETER 6"
 FLOW 008 FLOWMETER 8"



FLOWMETER



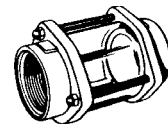
SP0714T

SITE GLASS

SITE 001 SP-1072S SITE GLASS 1 1/2"
 SITE 002 SP-1074S SITE GLASS 2"
 SITE 004 SRS VERTICAL SITE GLASS 1 1/2" MT
 HAY SP710MA SITE GLASS BOTTLE W/GASKET



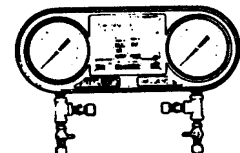
1 1/2" BRASS SITE
GLASS VERTICAL



SP-1072

PRESSURE GAUGES

PRESSURE 001 BOTTOM PRESSURE GAUGE (2") 0-60 PSI
 PRESSURE 0015 BOTTOM PRESSURE GAUGE (2") 0-30 PSI
 PRESSURE 002 BACK PRESSURE GAUGE (2") 0-60 PSI
 PRESSURE 003 COMMERCIAL PRESSURE GAUGE (4-1/2")



Pressure Gauge

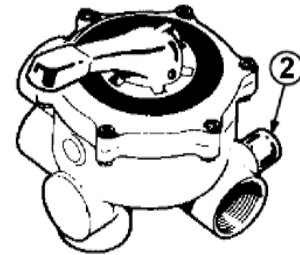
PRICES SUBJECT TO CHANGE

MULTIPORT VALVE PARTS



HAYWARD 1 1/2" MULTIPOST PARTS FOR SP710, SP711, SP712

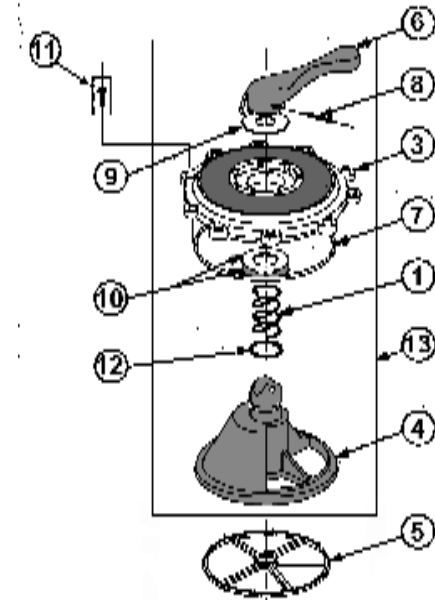
HAY SPX603-S	#1	SPRING
HAYSPX710-MA	#2	THREADED SIGHT GLASS WITH GASKET
HAY SPX710-R	#2	GASKET FOR SIGHT GLASS
HAY SPX710X-B	#3	COVER
HAY SPX710X-C	#4	KEY/STEM ASSEMBLY, NORYL
HAY SPX710X-D	#5	5 SPOKE VALVE SEAT GASKET
HAY SPX710X-F	#6	CYCOLAC HANDLE
HAY SPX710X-Z-3	#7	COVER O RING
HAY SPX710X-Z-7	#8	HANDLE PIN
HAY SPX710-Z-16	#9	NON-METALLIC BEARING
HAY SPX710-Z-6-2	#10	SPRING WASHERS (SET OF 2)
HAY SPX710-Z-1A	#11	COVER SCREW W/ NUT (6 EA)
HAYSPX735-GA	#12	ORING SHAFT SEAL
HAY SPX710X-BA	#13	KEY, COVER, & HANDLE (Top Half)
HAY SPX710-Z-9	#14	GASKET ADHESIVE



SP-710 X-3



#14 GASKET ADHESIVE

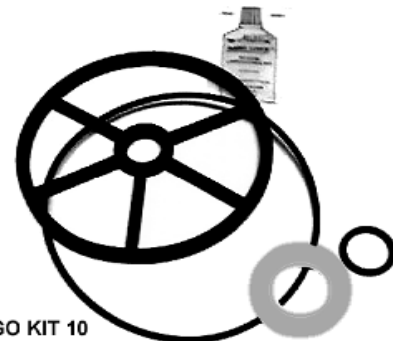


HAYWARD 2" MULTIPOST PARTS FOR SP715

HAY SPX603-S	#1	SPRING
HAY SPX715-B	#3	COVER
HAY SPX715-C	#4	KEY/STEM ASSEMBLY, NORYL
HAY SPX715-D	#5	VALVE SEAT GASKET
HAY SPX715-F	#6	CYCOLAC HANDLE
HAY SPX715-Z-1	#7	COVER O-RING
HAY SPX710X-Z-7	#8	HANDLE PIN
HAY SPX710-Z-16	#9	NON METALLIC BEARING
HAY SPX715-Z-2A	#10	SPRING BEARING W/ WASHER
HAY SPX710-Z-1A	#11	COVER SCREW W/ NUT
HAY SPX735-GA	#12	O-RING SHAFT SEAL
HAY SPX715-BA	#13	KEY,COVER,HANDLE (Top Half)

REPAIR KITS FOR MULTIPOST VALVES

GO KIT 10	HAYWARD SP710 MULTIPOST - 1 1/2"
GO KIT 39	HAYWARD SP715 MULTIPOST - 2"



GO KIT 10

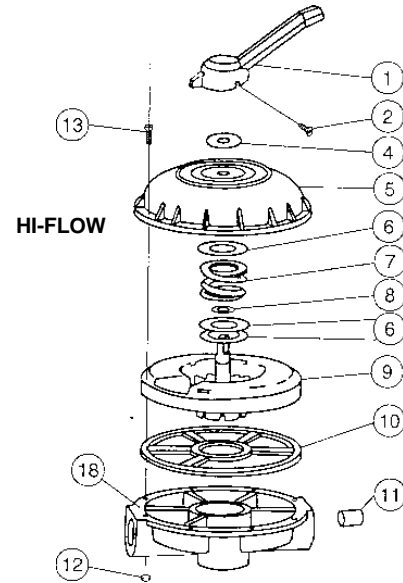
PRICES SUBJECT TO CHANGE



MULTIPOINT VALVE PARTS

PENTAIR 2" HI-FLOW MULTIPOINT VALVE

#1	PAC 272520	HANDLE	21.09
#2	PAC 272405	SCREW - HANDLE	1.09
#4	PAC 272402	WASHER - PLASTIC	1.87
#5	PAC 272412	VALVE TOP	36.94
#6	PAC 272401	WASHER - 1/32IN., 3 REQ.	1.60
#7	PAC 272400	SPRING - COMPRESSION	6.08
#8	PAC 272406	O-RING DIVERTER	1.09
#9	PAC 272413	DIVERTER	55.65
#10	PAC 272409	SEAL - DIVERTER (SPOKE)	25.09
#12	PAC 98211400	NUT 1/4 IN - 20 HEX, 8 REQ.	CALL
#13	PAC 272403	SCREW 1/4 IN - 20, 8 REQ.	CALL



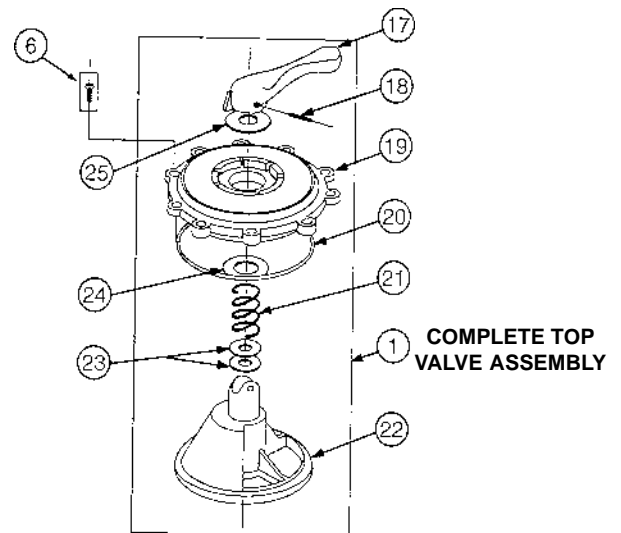
PRICES SUBJECT TO CHANGE

MULTIPOINT VALVE PARTS



PENTAIR 1 1/2" CANADIAN VALVE (SIDEMOUNT)

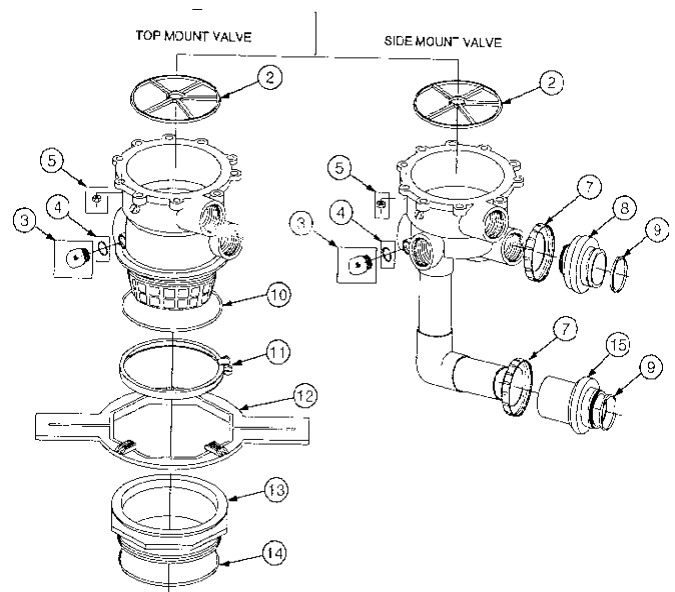
#1	PAC 270068	TOP VALVE ASSEMBLY 1 1/2 IN	1
#2	PAC 271104	SPOKE GASKET - DIVERTER	
#3	PAC 272550	SIGHTGLASS	
#4	PAC 271106	GASKET - SIGHTGLASS	
#6	PAC 152168	BOLT - M6 X 30 MM S.S. 10 REQ.	
#7	PAC 274407	NUT - BULKHEAD ADAPTOR, 2 REQ.	
#8	PAC 274404	ADAPTOR - VALVE THREAD	
#9	PAC 274494	O-RING ADAPTOR, 2 REQ.	
#10	PAC 272541	O-RING - VALVE	
#11	PAC 152165	SNAP CLAMP FOR TAGELUS	
#12	PAC 154512	WRENCH - ADAPTOR FLANGE	
#13	PAC 154555	ADAPTOR - FOR TAGELUS CLAMP	
#14	PAC 154493	O-RING - ADAPTOR	
#15	PAC 274404	ADAPTOR - VALVE SLIP	
#17	PAC 271156	HANDLE	
#18	PAC 271164	PIN, HANDLE	
#20	PAC 271103	O-RING VALVE TOP	
#21	PAC 271161	VALVE SPRING	
#22	PAC 271163	VALVE DIFFUSER	
#23	PAC 271162	O-RING, STEM, 2 REQ.	
#24	PAC 271160	WASHER, VALVE SPRING	



PENTAIR 2" CANADIAN VALVE (SIDEMOUNT)

#1	PAC 270067	TOP VALVE ASSEMBLY 2 IN	
#2	PAC 271148	SPOKE GASKET - DIVERTER	
#3	PAC 272550	SIGHTGLASS	
#4	PAC 271106	GASKET - SIGHTGLASS	
#6	PAC 152168	BOLT - M6 X 30 MM S.S. 10 REQ.	
#7	PAC 274407	NUT - BULKHEAD ADAPTOR, 2 REQ.	
#8	PAC 274556	ADAPTOR - VALVE THREAD	
#9	PAC 274494	O-RING ADAPTOR, 2 REQ.	
#10	PAC 275333	O-RING - VALVE	
#12	PAC 151608	WRENCH - ADAPTOR FLANGE	
#13	PAC 154514	ADAPTOR - FLANGE BUTTRESS THREAD	
#14	PAC 152501	O-RING - ADAPTOR	
#15	PAC 274404	ADAPTOR - VALVE SLIP	
#17	PAC 271156	HANDLE	
#18	PAC 271164	PIN, HANDLE	
#20	PAC 271151	O-RING VALVE TOP	
#21	PAC 271161	VALVE SPRING	
#22	PAC 271168	VALVE DIFFUSER	
#23	PAC 271162	O-RING, STEM, 2 REQ.	
#24	PAC 271160	WASHER, VALVE SPRING	
#25	PAC 271157	WASHER, HANDLE	

CALL



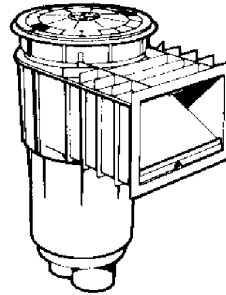
PRICES SUBJECT TO CHANGE



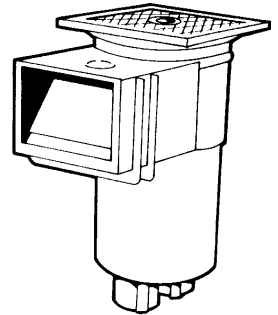
SKIMMERS AND ACCESSORIES

SKIMMERS

SKIMMER 001 SP-1070S HAYWARD SKIMMER - NO FLOAT



SP-1070



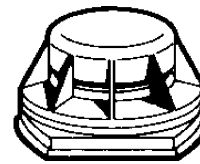
SP-1082

SKIMMER PARTS

SKIMMER 004 SP-1070FV FLOAT VALVE ASSBY
 SKIMMER 005 8655-7 CHECK VALVE 1 1/2" F/SKIMMER
 SKIMMER 006 8655-17 CHECK VALVE 2" F/SKIMMER
 SKIMMER 007 SP-1070C SKIMMER COVER "ROUND"
 SKIMMER 008 SP-1082E COVER "SQUARE"
 SKIMMER 0085 850047 AMERICAN PRODUCT SKIMMER LID

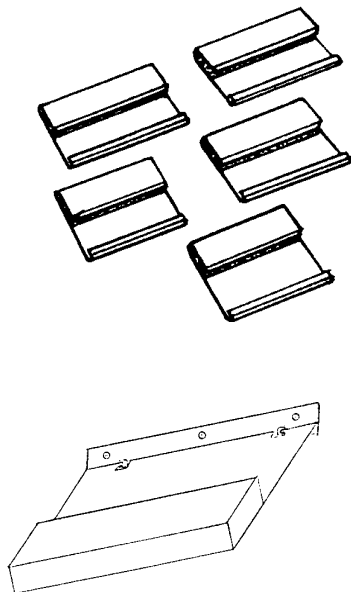
SKIMMER WEIRS

WEIR 002 HAYWARD 5 7/8" WEIR SPRING LOADED
 WEIR 0022 HAYWARD SPX-1096K WEIR
 WEIR 003 HAYWARD 7 13/16" WEIR SPRING LOADED
 WEIR 0033 HAYWARD SP1082K WEIR
 WEIR 004 SQ & HAY 8 3/8" WEIR SPRING LOADED
 WEIR 005 SWIMQUIP ORIGINAL WEIR 8 3/8"
 WEIR 001 WEIR 10" SPRING LOADED
 WEIR 0055 SPX1071K SPRING LOADED

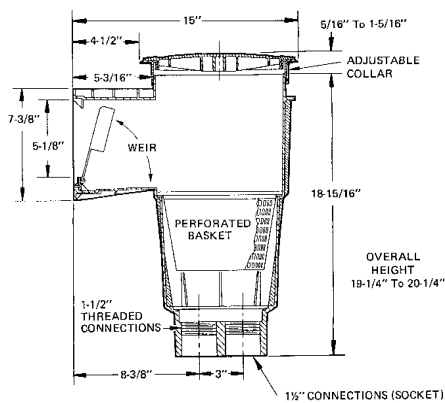


SP-1070FV

SPRING LOADED WEIRS



ORIGINAL WEIR FOR HAYWARD 1070 OR SWIMQUIP 8650 SKIMMERS



HAYWARD SP-1070S

PRICES SUBJECT TO CHANGE



Virginia Graeme Baker Pool and Spa Safety Act

Mandatory Requirements for Drain Covers and Public Pools and Spas (Section 1404)

Effective December 19, 2008, the following are federal mandates under the Virginia Graeme Baker Act (section 1404) for drain covers and public pools, spas, and hot tubs.

1. Drain Covers, Public and Residential Pools and Spas. By December 19, 2008, all drain covers manufactured or sold in the United States must conform to the ASME/ANSI A112.19.8-2007 *Suction Fittings for Use in Swimming Pools, Wading Pools, Spas, and Hot Tubs*, published by the American Society of Mechanical Engineers (ASME).
2. All public pools and spas (as defined by the Act), both new and existing, must be equipped with drain cover systems conforming to the ASME/ANSI A112.19.8-2007 standard.
3. All public pools and spas (pump) with a single main drain, other than an unblockable drain, must be equipped with an ASME A112.19.8-2007 compliant cover system and one or more of the following additional devices or systems: a safety vacuum release system (SVRS); suction limiting vent system; gravity drainage system; automatic pump shutoff system; or drain disablement.

Visit www.APSP.org/VGB for the latest information.

Please call with questions and pricing.



FITTINGS

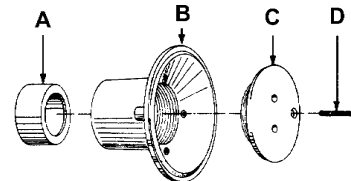
FLOOR AND WALL RETURN (INLET) FITTINGS

- RETURN 001 SWIMQUIP FLOOR RETURN (WHITE) 8417
- RETURN 002 SWIMQUIP EYEBALL WALL RETURN(WHITE)

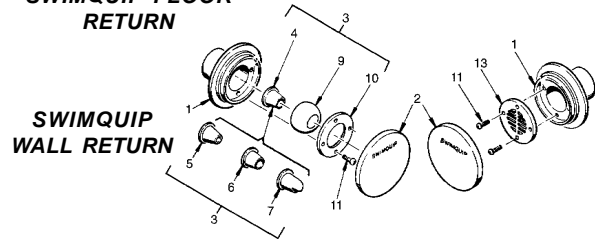
- RETURN 008 EYEBALL INLET SP-1419C
- RETURN 009 EYEBALL INLET SP-1419D
- RETURN 010 EYEBALL INLET SP-1419E
- RETURN 011 INLET GRATE SP-1026

- RETURN 013 "C" SQ RETURN "COVER" ONLY #8417-0005E
- SCREW 010 "D" SQ FLOOR RETURN SCREW

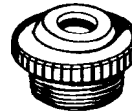
- RETURN 014 "3" SWIMQUIP EYEBALL KIT



SWIMQUIP FLOOR RETURN



SWIMQUIP WALL RETURN



SP-1419-D

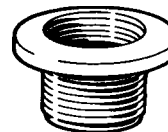


SP-1026

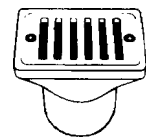
SAFETY FIRST! - Hazardous Suction. To avoid risk of hair or body entrapment, Vacuum Fittings must be plugged when pool is in use.

VACUUM AND OVERFLOW FITTINGS

- OVERFLOW 010 OVERFLOW / GUTTER FITTING SP-1019
- VACUUM FTG 001 CYCOLAC VACUUM FITTING SP1022S



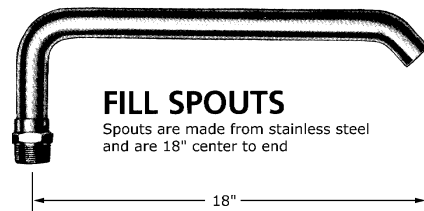
SP-1022



SP-1019

FILLSPOUTS

- FILLSPOUT 002 SS FILLSPOUT 1-1/2" X 18"



FILLSPOUTS

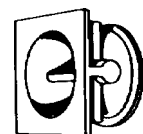
Spouts are made from stainless steel and are 18" center to end

ROPE ANCHORS

- ROPE ANCHOR 001 SP-1040 WHITE CYCOLAC ROPE ANCHOR
- ROPE ANCHOR 005 CHROME EYEBOLT w/LEAD SHIELD (41156-0) (FROST)



A41156-0



SP-1040

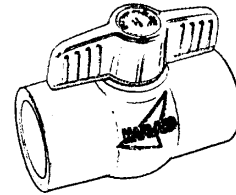
PRICES SUBJECT TO CHANGE

VALVES



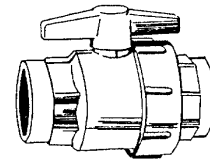
WHITE BALL VALVES

VALVE 001	WHITE BALL VALVE 1/2"
VALVE 002	WHITE BALL VALVE 3/4"
VALVE 003	WHITE BALL VALVE 1"
VALVE 004	WHITE BALL VALVE 1 1/4"
VALVE 005	WHITE BALL VALVE 1 1/2"
VALVE 006	WHITE BALL VALVE 2"
VALVE 0066	WHITE BALL VALVE 2 1/2"
VALVE 0067	WHITE BALL VALVE 3"



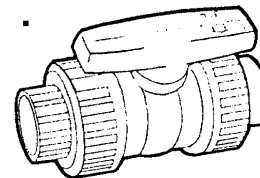
WHITE UNION VALVES

VALVE 007	WHITE UNION VALVE 1 1/2" SLIP
VALVE 0075	WHITE UNION VALVE 1 1/2" THREADED
VALVE 008	WHITE UNION VALVE 2"



UNION BALL VALVES

VALVE 009	2" GREY SCH 80 UNION BALL VALVE
VALVE 010	2 1/2" GREY SCH 80 UNION BALL VALVE
VALVE 011	3" GREY SCH 80 UNION BALL VALVE
VALVE 012	4" GREY SCH 80 UNION BALL VALVE

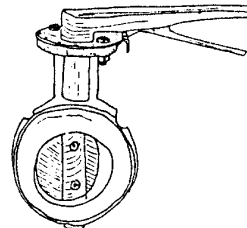


BUTTERFLY VALVES (NO HANDLE)

VALVE 013	BRAY 2 1/2" BUTTERFLY VALVE
VALVE 014	BRAY 3" BUTTERFLY VALVE
VALVE 015	BRAY 4" BUTTERFLY VALVE
VALVE 016	BRAY 5" BUTTERFLY VALVE
VALVE 017	BRAY 6" BUTTERFLY VALVE
VALVE 018	BRAY 8" BUTTERFLY VALVE

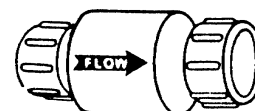
BUTTERFLY VALVE HANDLES

VALVE 0135	BRAY 2 1/2" & 3" HANDLE ONLY
VALVE 0155	BRAY 4" HANDLE ONLY
VALVE 0165	BRAY 5" & 6" HANDLE ONLY
VALVE 0185	BRAY 8" HANDLE ONLY



CHECK VALVES

VALVE 029	PVC CHECK VALVE 1"
VALVE 030	PVC CHECK VALVE 1 1/4"
VALVE 031	PVC CHECK VALVE 1 1/2"
VALVE 032	PVC CHECK VALVE 2"



PRICES SUBJECT TO CHANGE

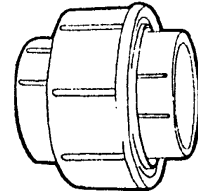


UNIONS, FLANGES, AND PLUGS

PVC FITTINGS AND BUSHINGS FROM 1/2" - 8" INSTOCK

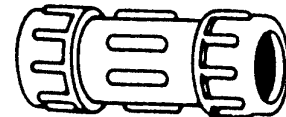
WHITE UNIONS

PVC UNION 001	WHITE UNION 1/2"
PVC UNION 002	WHITE UNION 3/4"
PVC UNION 003	WHITE UNION 1"
PVC UNION 004	WHITE UNION 1 1/4"
PVC UNION 005	WHITE UNION 1 1/2"
PVC UNION 006	WHITE UNION 2"



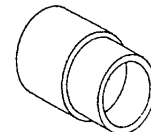
DRESSER COUPLINGS

PVC UNION 007	DRESSER COUPLING 1 1/2"
PVC UNION 008	DRESSER COUPLING 2"
PVC UNION 009	DRESSER COUPLING 2 1/2"
PVC UNION 010	DRESSER COUPLING 3"
PVC UNION 011	DRESSER COUPLING 4"
PVC UNION 012	DRESSER COUPLING 6"



PVC PIPE EXTENDERS

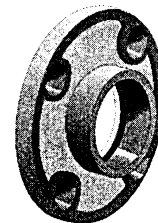
PIPE EXTEND 001	PVC PIPE EXTENDER 1 1/2"
PIPE EXTEND 002	PVC PIPE EXTENDER 2"



Pipe Extension
Repair Fitting

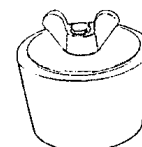
PVC FLANGES

PVC FLANGE 001	FLANGE 3"
PVC FLANGE 002	FLANGE 4"
PVC FLANGE 003	FLANGE 5"
PVC FLANGE 004	FLANGE 6"
PVC FLANGE 005	FLANGE 8"
PVC FLANGE BOLT	5/8" X 5 1/2" BOLT, NUT, AND 2 WASHERS



MISCELLANEOUS PLUGS

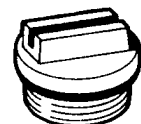
PLUG 0001	DRAIN PLUG 1/4"
PLUG 0002	DRAIN THUMB PLUG 1/4"
PLUG 0003	BRASS 1/4" DRAIN PLUG
PLUG 0071	#1-#5 UNIVERSAL RUBBER PLUG
PLUG 0072	#5-#7 UNIVERSAL RUBBER PLUG
PLUG 0073	#7-#10 UNIVERSAL RUBBER PLUG
PLUG 008	WHITE VACUUM PLUG 1.5"
PLUG 0085	BLACK SQUARE PLUG 1.5"
PLUG 009	WHITE ORING PLUG 1.5"
PLUG 010	WHITE VACUUM PLUG 2"
PLUG 011	WHITE ORING PLUG 2"



RUBBER
WINTERIZING
PLUG



SP-1022-B



SP-1022-C

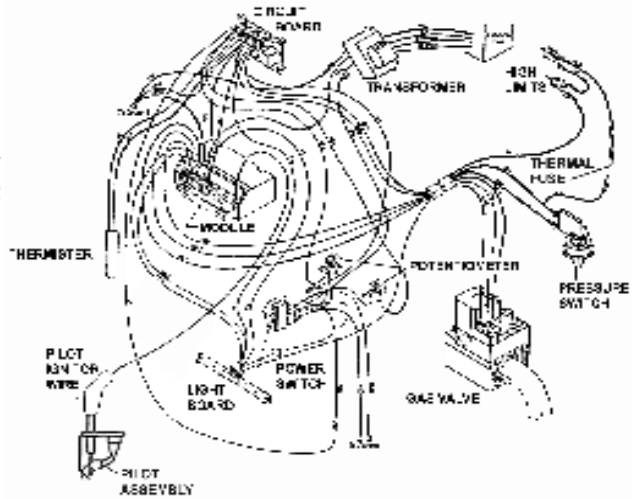
PRICES SUBJECT TO CHANGE

PENTAIR HEATER PARTS



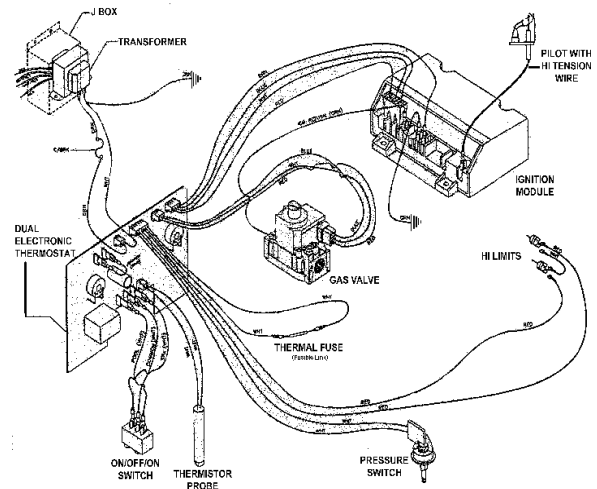
PENTAIR MINIMAX HEATER PARTS 1991-EARLY 1997 ELECTRONIC (IID) HEATERS ONLY

PUREX 70271	THERMOSTAT ELECTRONIC ASSY COMPLETE
PUREX 70272	THERMOSTAT CIRCUIT BOARD
PUREX 70274	THERMISTOR PROBE
PUREX 71017	HI-LIMIT (2 REQUIRED)
PUREX 71388	3/4" BRASS NIPPLE FOR RELIEF VALVE
PUREX 71510	PROPANE PILOT <i>DISCONTINUED - USE PUREX 471205</i>
PUREX 71511	NATURAL PILOT <i>DISCONTINUED - USE PUREX 471204</i>
PUREX 71580	PRESSURE SWITCH (MOUNTS IN TUBE)
PUREX 71949	SWITCH ROCKER DPDT 6 AMP
PUREX 71983	3/4" BRASS TEE FOR RELIEF VALVE
PUREX 72193	WIRING HARNESS (GAS VALVE)
PUREX 73584	MODULE IID NATURAL
PUREX 73585	MODULE IID PROPANE
PUREX 73732	WIRING HARNESS (CONTROL BOX)
PUREX 73998	NATURAL GAS VALVE - IID - ELECTRONIC
PUREX 73999	PROPANE GAS VALVE - IID - ELECTRONIC
PUREX 471360	TRANSFORMER
PUREX 74202	LIGHT BOARD
PUREX 75173	THERMAL CUTOFF (FUSIBLE LINK)
PUREX 75284	ACCESSORY BOX MMX W/QUICK FLANGE



PENTAIR MINIMAX HEATER PARTS MID 1997 AND LATER ELECTRONIC (IID) HEATERS ONLY

PUREX 470179	THERMOSTAT CIRCUIT BOARD-IID
PUREX 470180	THERMISTOR PROBE (NEW STYLE)
PUREX 71017	HI-LIMIT (2 REQUIRED)
PUREX 71388	3/4" BRASS NIPPLE FOR RELIEF VALVE
PUREX 471204	NATURAL PILOT ASSM. IID (NEW STYLE W/WIRE)
PUREX 471205	PROPANE PILOT ASSM. IID (NEW STYLE W/WIRE)
PUREX 470190	PRESSURE SWITCH (MOUNTS IN HEADER)
PUREX 470186	SWITCH ROCKER
PUREX 71983	3/4" BRASS TEE FOR RELIEF VALVE
PUREX 72138	RELIEF VALVE 3/4" 50#
PUREX 73584	MODULE IID NATURAL
PUREX 73585	MODULE IID PROPANE (90 SECOND LOCKOUT)
PUREX 73998	NATURAL GAS VALVE - IID - ELECTRONIC
PUREX 73999	PROPANE GAS VALVE - IID - ELECTRONIC
PUREX 471360	TRANSFORMER
PUREX 75173	THERMAL CUTOFF (FUSIBLE LINK)
PUREX 75284	ACCESSORY BOX MMX W/QUICK FLANGE



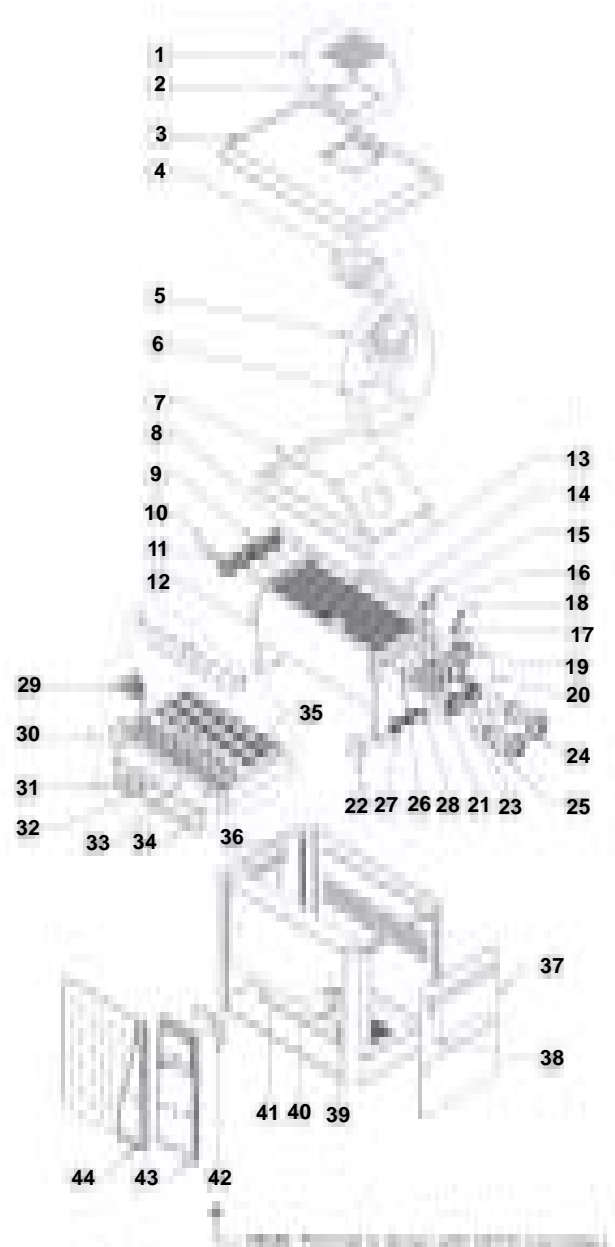
PRICES SUBJECT TO CHANGE



HEATER PARTS

PENTAIR MINIMAX NT HEATER PARTS

PUREX 472361	#5 BLOWER W/GASKET FOR 200	
PUREX 472362	#5 BLOWER W/GASKET FOR 300	
PUREX 471933	#13 HEAT EXCHANGER W/O HEADERS FOR 200	
PUREX 471935	#13 HEAT EXCHANGER W/O HEADERS FOR 300	
PUREX 471566	#15 THERMISTOR PROBE	
PUREX 471587	#16 HI-LIMIT THERMOSTAT 115 DEGREES	
PUREX 471694	#17 HI-LIMIT THERMOSTAT 150 DEGREES	
PUREX 473605	#18 PRESSURE SWITCH PLASTIC IN HEADER	
PUREX 471992	#20 IN/OUT MAIN HEADER ASSY.	
PUREX 471603	#32 FLAME SENSOR	
PUREX 472178	#40 AIR PRESSURE SWITCH FOR 200	
PUREX 472428	#42 TEMPERATURE CONTROLLER ASSY.	CALL



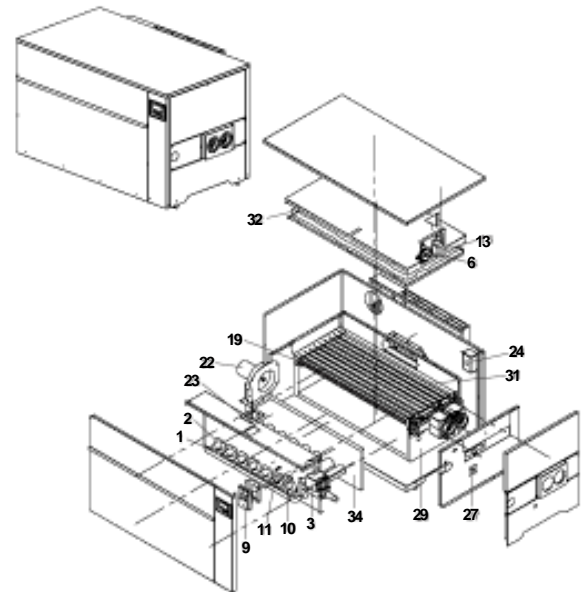
PRICES SUBJECT TO CHANGE

HEATER PARTS



LOCHINVAR HEATER PARTS

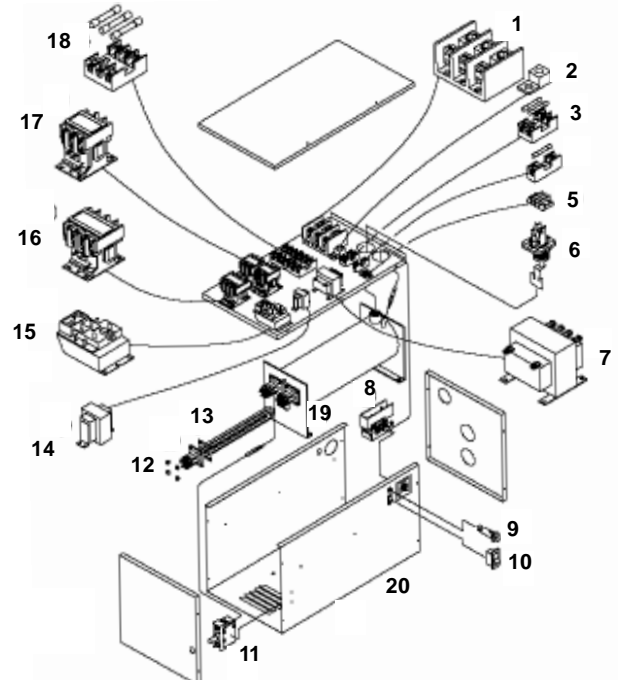
LOCH VAL 2420	#3 IGNITION/GAS VALVE
LOCH PRS 2428	#6 SWITCH, AIR PRESSURE
LOCH TST 2402	THERMOSTAT, HIGH LIMIT 175 DEGREE(NOT PIC)
LOCH TST 2406	THERMOSTAT, PRIMARY 135 DEGREE(NOT PIC)
LOCH RLY 2038	#9 TEMPERATURE CONTROL, DIGITAL
LOCH PLT 3000	#10 IGNITOR ASSEMBLY FOR ENERGY RITE
LOCH PLT 2604	#11 FLAME ROD SENSOR
LOCH TRF 2002	#13 TRANSFORMER 50 VA
LOCH HEX 3425	HEAT EXCHANGER FOR 151(NOT PICTURED)
LOCH HEX 3426	HEAT EXCHANGER FOR 201(NOT PICTURED)
LOCH HEX 3427	HEAT EXCHANGER FOR 251(NOT PICTURED)
LOCH HEX 3427	HEAT EXCHANGER FOR 301(NOT PICTURED)
LOCH HEX3429	HEAT EXCHANGER FOR 401(NOT PICTURED)
LOCH FAN 2724	#22 COMBUSTION FAN FOR 151
LOCH FAN 2723	#22 COMBUSTION FAN FOR 201-401
LOCH GKT 2009	#23 FAN GASKET
LOCH MSC 2426	#24 ON/OFF SWITCH
LOCH GKT2413	GASKET, FLANGE 2"(NOT PICTURED)
LOCH GKT 2414	GASKET, FLANGE 1 1/2"(NOT PICTURED)
LOCH MSC 3415	#27 SITE GLASS ASSEMBLY
LOCH WTR 3502	FLANGE(NOT PICTURED)



CALL FOR PRICES

COATES HEATER PARTS

COATES #1	POWER SUPPLY BUS
COATES #2	GROUND LUG
COATES #3	CONTROL TRANSFORMER PRIMARY FUSING
COATES #4	CONTROL TRANSFORMER SECONDARY FUSING(MAY ALSO BE MOUNTED ON TRANSFORMER)
COATES #5	EXTERNAL CONTROL CONNECTION
COATES #6	FLOW SWITCH
COATES #7	CONTROL TRANSFORMER
COATES #8	TEMPERATURE CONTROL
COATES #9	PILOT LIGHTS ("HEAT ON" & "FLOW")
COATES #10	PILOT SWITCH, LIGHTED ("ON/OFF")
COATES #11	TEMPERATURE LIMIT SWITCH
COATES #12	HEATING ELEMENT
COATES #13	HEATING ELEMENT GASKET
COATES #14	SEQUENCER TRANSFORMER
COATES #15	SEQUENCER
COATES #16	CONTACTOR (4-POLE)
COATES #17	CONTACTOR (3-POLE)
COATES #18	HEATER CIRCUIT FUSING
COATES #19	VESSEL
COATES #20	ENCLOSURE



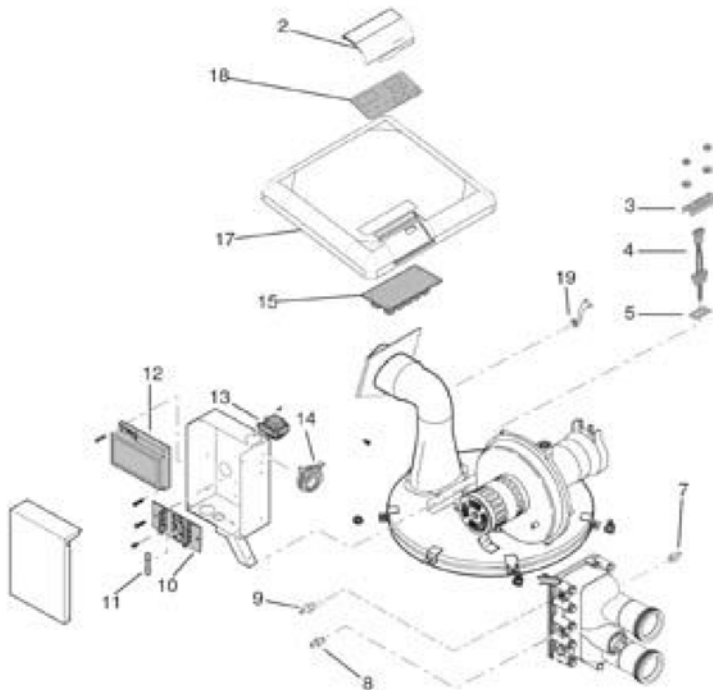
PRICES SUBJECT TO CHANGE



HEATER PARTS

PENTAIR MASTERTEMP HEATER PARTS

PUREX 42002-0035	#2 HEATER DISPLAY COVER
PUREX 42001-0030S	#3 IGNITER BRACKET
PUREX 77707-0054	#4 IGNITER/IGNITER GASKET KIT(INCL. #4 & 5)
PUREX 42001-0066S	#5 IGNITER GASKET
PUREX 42002-0025S	#7 AUTOMATIC GAS SHUTOFF SWITCH (AGS)
PUREX 42001-0063S	#8 HIGH LIMIT SWITCH
PUREX 42001-0053S	#9 THERMISTOR
PUREX 42001-0056S	#10 TERMINAL BOARD
PUREX 32850-0099	#11 FIREMAN'S SWITCH FUSE (1.25A,1-1/4")
PUREX 42001-0052S	#12 IGNITION CONTROL MODULE
PUREX 42001-0107S	#13 TRANSFORMER, 115/230V
PUREX 42001-0061S	#14 AIR FLOW SWITCH
PUREX 42002-0007S	#15 CONTROL BOARD KIT (NA,LP SERIES)
PUREX 42002-0034Z	#17 HEATER, TOP
PUREX 472610Z	#18 MEMBRANE PAD
PUREX 42002-0024S	#19 STACK FLUE SENSOR
PUREX 42001-0060S	#20 WATER PRESSURE SWITCH
PUREX 77707-0251	#21 AIR BLOWER KIT, GAS, MODEL 200
PUREX 460757	#21 AIR BLOWER KIT, GAS MODEL 300
PUREX 77707-0254	#21 AIR BLOWER KIT, PROPANE MODEL 200
PUREX 460758	#21 AIR BLOWER KIT, PROPANE MODEL 300



20

21

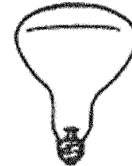
PRICES SUBJECT TO CHANGE

LIGHT PARTS AND ACCESSORIES



REPLACEMENT LIGHT BULBS

LIGHT BULB 001	100 WATT 120 VOLT FLOOD STYLE
LIGHT BULB 003	300 WATT 12 VOLT (MED BASE)
LIGHT BULB 004	300 WATT 120 VOLT (MED BASE)
LIGHT BULB 005	400 WATT 130 VOLT (BASEBALL)
LIGHT BULB 006	500 WATT 120 VOLT (MED BASE)



FLOOD



QUARTZ

REPLACEMENT LIGHT BULBS (QUARTZ)

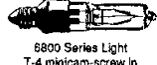
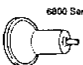



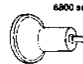

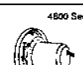
LIGHT BULB 008	QUARTZ 100 WATT 120 VOLT (TREADED)
LIGHT BULB 009	QUARTZ 250 WATT 120 VOLT (THREADED)
LIGHT BULB 010	QUARTZ 100 WATT 120 V (PUSH/TWIST)
LIGHT BULB 011	QUARTZ 250 WATT 120 V (PUSH/TWIST)

LIGHT LENS

LIGHT LENS 001	SWIMQUIP LIGHT LENS 7 1/4"
LIGHT LENS 002	AMERICAN PRODUCT LIGHT LENS 8 3/8"
LIGHT LENS 003	PENTAIR & HAYWARD LIGHT LENS 7 1/2"

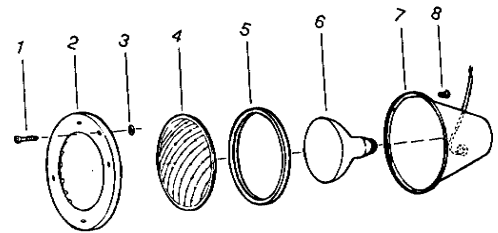
LIGHT LENS GASKETS

LIGHT LENS 005	SWIMQUIP LIGHT LENS GASKET
LIGHT LENS 006	AMERICAN PRODUCT LIGHT GASKET 8 3/8"
LIGHT LENS 007	PENTAIR & HAYWARD LIGHT GASKET 7 1/2"
LIGHT LENS 009	AMERICAN SPA LIGHT GASKET 4"
LIGHT LENS 010	HAYWARD SPA LIGHT GASKET 4"

Lamp	Fixture	Hydrel Lamp	AMP Draw	Part No.
New Style  6800 Series Light T-4 minicam-screw in	 6800 Series	Sunlite #7116 120v 250w Mfg. after 9/89	2.08	70514
Old Style  4800 Series / All Adj. Eyeball Push/Twist	 4800 Series	Sunlite Spa Star Adj. Eyeball #7024 120v 250w	2.08	70518
New Style  6800 Series Light T-4 minicam-screw in	 6800 series	Sunlite #7115 120v 100w Mfg. after 9/89	.83	70515
Old Style  4800 Series/ All Adj. Eyeball Push/Twist	 4800 Series	Sunlite Spa Star Adj. Eyeball #7022 120v 100w	.83	70517

ADAPTER RINGS FOR LIGHT REPLACEMENTS

LIGHT RINGS 002	ADAPTER RING PENTAIR - #500
LIGHT RINGS 003	ADAPTER RING HAYWARD #500B
LIGHT RINGS 004	ADAPTER RING AMERICAN PRODUCT #500C



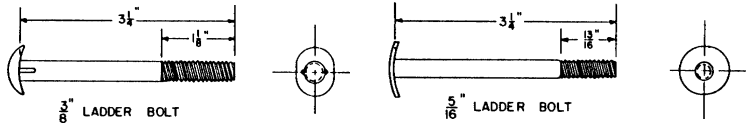
PRICES SUBJECT TO CHANGE



LADDER PARTS AND ACCESSORIES

LADDER BOLTS

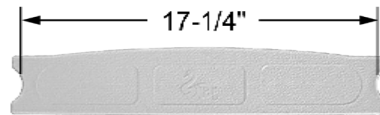
- LADDER BOLT 002 LADDER BOLT 3/8" X 2 1/2" EACH
- LADDER BOLT 004 LADDER BOLT 3/8" X 3 1/4" EACH
- LADDER BOLT 005 LADDER BOLT 5/16" X 2 1/2" EACH



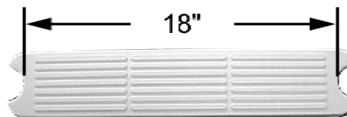
NOTE: Ladder tread dimensions are shown as the shortest distance between the two rails.



LADDER TREAD 001
Stainless Steel



LADDER TREAD 002
RESIDENTIAL USE ONLY



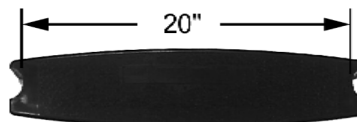
LADDER TREAD 003
Swimquip and Frost



LADDER TREAD 004/005
Paragon Lifeguard Chair (Vertical & Sloping))



LADDER TREAD 006/007
Paragon Diving Stand (Vertical & Sloping)



LADDER TREAD 008
Swimquip Lifeguard and Diving Stand

LADDER TREADS

- LADDER TREAD 001 18" SS LADDER TREAD
- LADDER TREAD 002 17" MOLDED PLASTIC LADDER TREAD
- LADDER TREAD 003 18" PLASTIC LADDER TREAD
- LADDER TREAD 0033 18" PLASTIC LADDER TREAD-COMMER.
- LADDER TREAD 004 17" PARAGON VERTICAL LADDER TREAD
- LADDER TREAD 005 17" PARAGON SLOPING LADDER TREAD
- LADDER TREAD 006 24" PARAGON VERTICAL LADDER TREAD
- LADDER TREAD 007 24" PARAGON SLOPING LADDER TREAD
- LADDER TREAD 008 20" SWIMQUIP LADDER TREAD

ABOVEGROUND LADDER TREADS

- LADDER TREAD 009 SPL-2 ROUND THRU-HOLE A/G TREAD
- LADDER TREAD 010 SPL-2 ROUND NO-HOLE BOTTOM TREAD
- LADDER TREAD 011 SPL-3 SQUARE-HOLE A/G TREAD
- LADDER TREAD 012 SPL-3 SQUARE NO HOLE BOTTOM TREAD

LADDER BUMPERS AND ESCUTCHEONS

- LADDER ESCUT 001 KEYHOLE SS ESCUTCHEONS
- LADDER ESCUT 002 ROUND ABS PLASTIC ESCUTCHEONS
- LADDER ESCUT 003 ROUND STAINLESS STEEL ESCUTCHEONS
- LADDER BUMPER MALE RUBBER LADDER BUMPER
- LADDER BUMPERX EXPAND-N LOC- MALE LADDER BUMPER



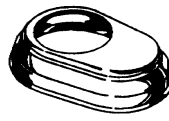
EXPAND-N-LOC



MALE BUMPER



ROUND



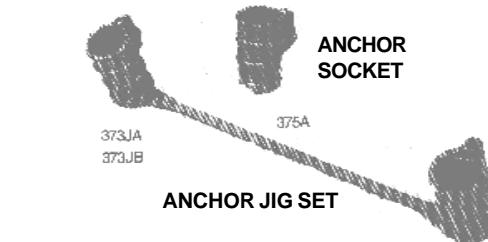
KEYHOLE

DECK ANCHOR SOCKETS

- ANCHOR 010 4" BRONZE ANCHOR SOCKET ANCHOR 020
- ANCHOR JIG SET FOR LADDER (BRONZE)
- ANCHOR 030 3" BRONZE ANCHOR SOCKET
- ANCHOR 070 ALUMINUM DECK ANCHOR FLANGE (SRS)

ANCHOR WEDGES

- WEDGE 010 BRASS WEDGE WITH BOLT (1WA)
- WEDGE 020 THICK BRASS WEDGE FOR OLD SWIMQUIP
- WEDGE 030 HAYWARD SPX392-BA BRASS WEDGE
- WEDGE BOLT 010 BOLT FOR WEDGE (5/16-18 X 1.25 SS)



ANCHOR JIG SET



Thick Brass Wedge

DECK MOUNTED ANCHOR FLANGE

White aluminum deck anchor flange. Great for wooden decks.



PRICES SUBJECT TO CHANGE